

MICRO SWITCH
a Honeywell Division

FED. MFG. CODE 91929

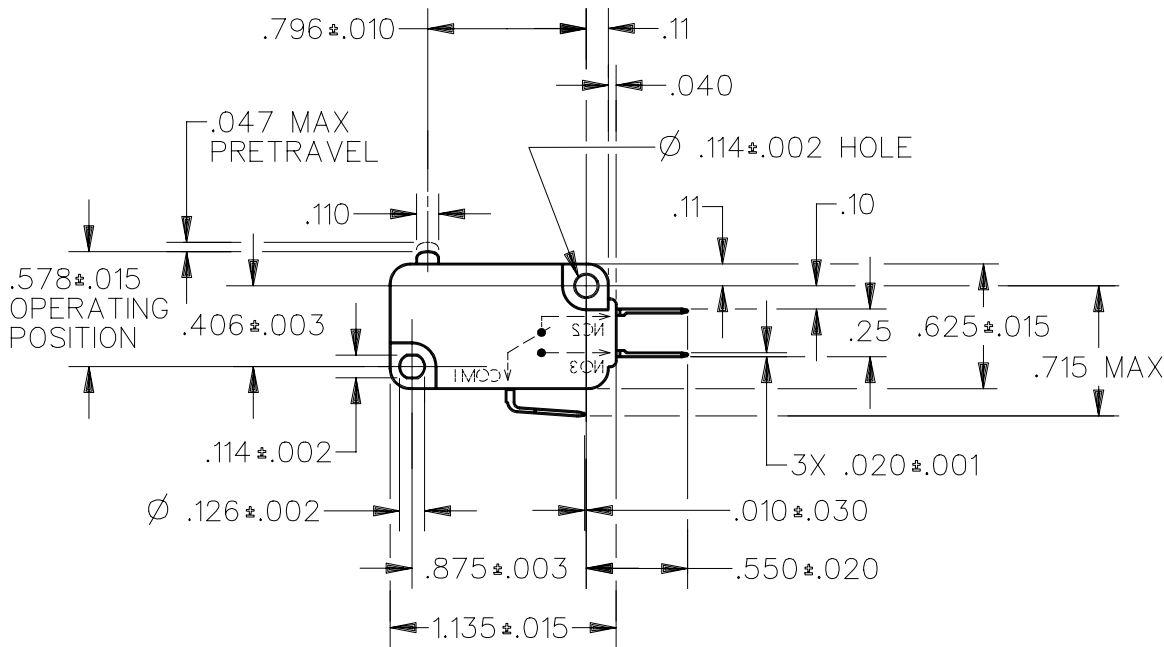
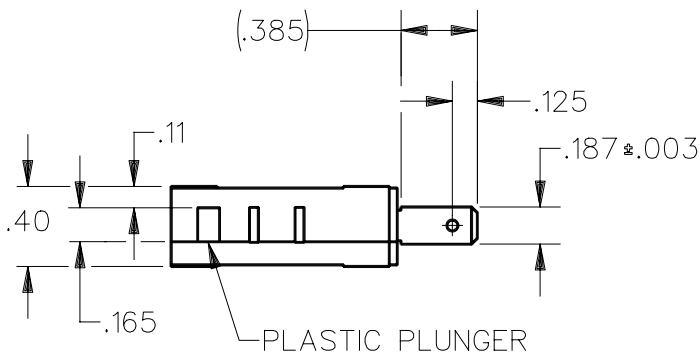
SWITCH-BASIC

CATALOG LISTING

V7-5F17D8

CW-C5004

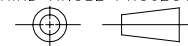
CATALOG LISTING
 V7-5F17D8
 RELEASE NO. PR-19544
 REPLACES
 ISSUE
M
 3
 CHECK
 REVISIONS
 A REL PR-19544
 BAB 6 SEP 91
 B CO-76108
 LJJ 20 OCT 93
 CHECK
 CHECK
 CHECK
 DDM/CAD
 DRAWN
 B A B 6 SEP 91
 CHECK



ANSI Y14.5M-1982 APPLIES

THIS DRAWING COVERS A PROPRIETARY ITEM AND IS THE PROPERTY OF MICRO SWITCH, A DIVISION OF HONEYWELL. THIS DRAWING IS NOT TO BE COPIED OR USED WITHOUT THE APPROVAL OF MICRO SWITCH.

THIRD ANGLE PROJECTION



CHARACTERISTICS

OPERATING FORCE — — — 15 GRAMS MAX
 RELEASE TRAVEL — — — — .010 MIN
 DIFFERENTIAL TRAVEL — — — .002-.010
 OVERTRAVEL — — — — — .050 MIN
 FREE POSITION — — — — — .625 MAX

ELECTRICAL DATA

CONTACT ARRANGEMENT
 S P D T

L163 3A 125, 250, 277 VAC
 1/10HP 250 VAC



SCALE FULL

DO NOT SCALE PRINT

UNLESS OTHERWISE SPECIFIED TOLERANCES ARE

ONE PLACE (.0) ±.030

TWO PLACE (.00) ±.015

THREE PLACE (.000) ±.005

ANGLES ±

WEIGHT